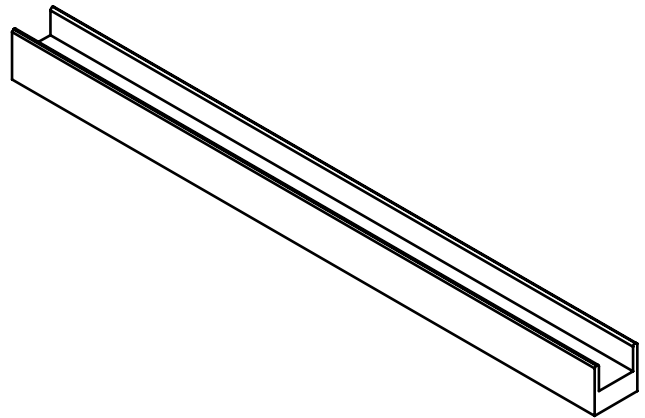
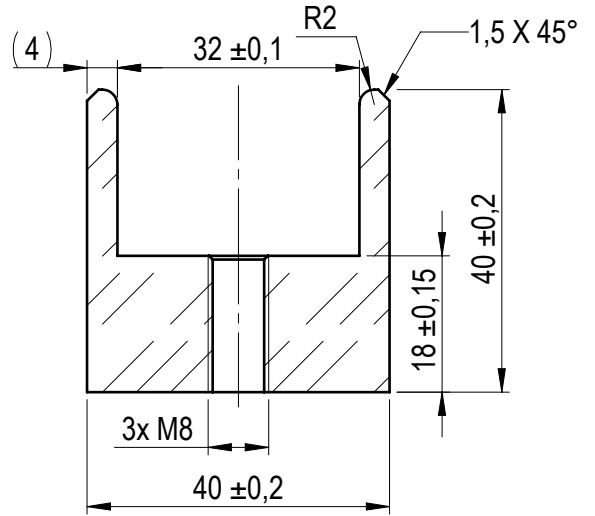
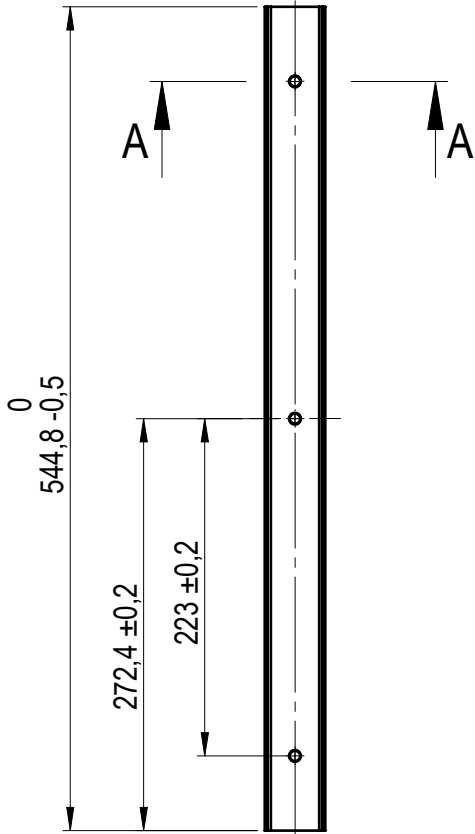


A-A  
SCALE: 1 : 1



Other dimensions from .step file

	MATERIAL		WEIGHT	DEBURR AND BREAK SHARP EDGES		REVISION	DATE	
	6082 T6		1.307 Kg	DO NOT SCALE DRAWING			04.04.2025	
SURFACE PROTECTION		MACHINING	THERMAL CUTTING	WELDING		SCALE	FORMAT	
Anodizing ISO 7599:2010		ISO 2768 mK	ISO 9013 221	ISO 13920 BF		1:5	A4	
NAME	SIGNATURE	PART NO.						
Designed by	D. Dislers	105-11203-03						
Drawn by	D. Dislers	DESCRIPTION						
Technical ref.		Glass bottom profile A3					SHEET 1/1	